



VIDA WHEELCHAIR

The Aspire VIDA is an extremely lightweight wheelchair that can be lifted in and out of a vehicle easily by carers. The VIDA range comes in various fun, bold colours and is ideal for quick trips to the shops, appointments, and catching up with friends. The ergonomic backrest and seat shape mimic body contours for comfort and postural support. The high safe working load (135kg / 21st) caters to a wide range of users.



UPHOLSTERY
Mustard/Black
FRAME
Grey
SEAT WIDTH
400mm



UPHOLSTERY
Teal/Black
FRAME
Grey
SEAT WIDTH
450mm



UPHOLSTERY
Magenta/Black
FRAME
Grey
SEAT WIDTH
450mm



UPHOLSTERY
Olive/Black
FRAME
Grey
SEAT WIDTH
500mm

Minimum
Chair Weight
from
7.5kg



5 YEARS WARRANTY
Frame

1 YEAR WARRANTY
Components

FEATURES & BENEFITS

- Available as attendant propelled or self-propelled
- Three seat width sizes: 400mm, 450mm, and 500mm, each with its own unique colour
- The 400mm seat width comes in Mustard
- The 450mm seat width is available in Teal and Magenta
- The 500mm seat width is available in Olive
- Lightweight frame design ensures easy lifting in and out of cars, ideal for carers
- Contoured and padded seating improves comfort and postural support
- Attendant operated hand brakes with parking lock
- Simple and intuitive folding for easy transportation
- Removable leg rests and folding back for compact storage
- Rear storage pocket for essentials
- Anti-tippers available (WCA848275)
- Lap belt available (WCA848300)



Attendant Propelled (AP) & Self Propelled (SP) Vida Specifications

400mm Mustard



MWS449874 - AP
MWS449876 - SP

450mm Teal or Magenta



MWS449878 - AP
MWS449880 - SP

500mm Olive



MWS449886 - AP
MWS449888 - SP



VIDA	Overall Length mm/in	Overall Width mm/in	Overall Height mm/in	Seat Depth mm/in	Seat Width mm/in	Anterior Seat Height mm/in	Posterior Seat Height mm/in	Backrest Height mm/in	Armrest Height mm/in	Min Chair Weight kg/lbs	Rear Wheel in
Attendant Propelled											
MWS449874	995/39	600/23.5	930/36.5	420/16.5	400/16	500/19.5	460/18	430/17	200/8	8.8/19.5	13
MWS449878	995/39	650/25.5	930/36.5	420/16.5	450/18	500/19.5	460/18	430/17	200/8	8.8/19.5	13
MWS449882	995/39	650/25.5	930/36.5	420/16.5	450/18	500/19.5	460/18	430/17	200/8	8.8/19.5	13
MWS449886	995/39	680/27	930/36.5	420/16.5	500/20	500/19.5	460/18	430/17	200/8	9.3/20.5	13
Self Propelled											
MWS449876	1040/41	630/25	950/37.4	420/16.5	400/16	500/19.5	460/18	430/17	200/8	7.5/16.5	22
MWS449880	1040/41	690/27	950/37.4	420/16.5	450/18	500/19.5	460/18	430/17	200/8	7.5/16.5	22
MWS449884	1040/41	690/27	950/37.4	420/16.5	450/18	500/19.5	460/18	430/17	200/8	7.5/16.5	22
MWS449888	1040/41	710/28	950/37.4	420/16.5	500/20	500/19.5	460/18	430/17	200/8	8/17.6	22

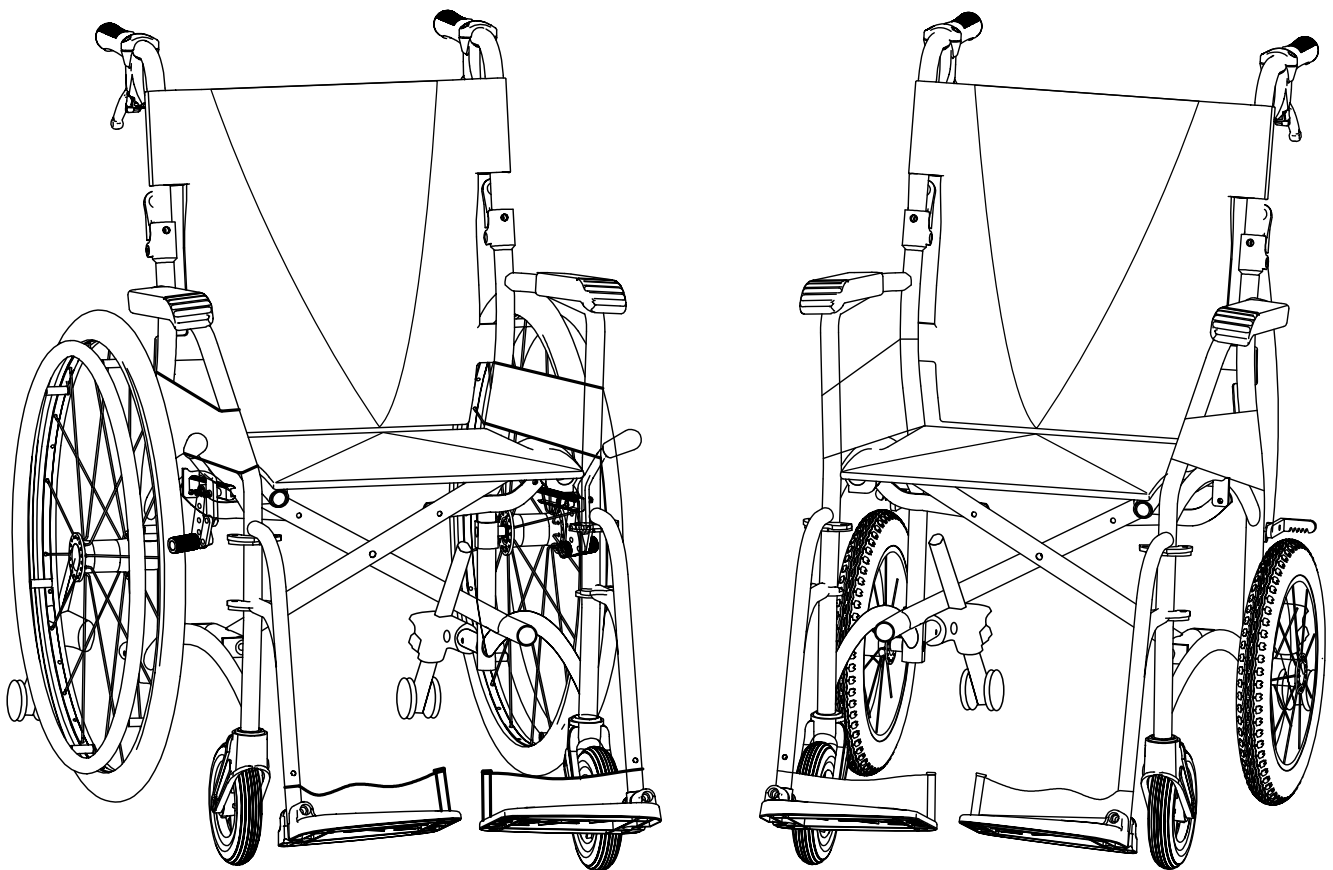
*Range of motion dimensions are accurate to a +/-10mm tolerance



VIDA WHEELCHAIRS

VIDA | VIDA MG | VIDA X

USER MANUAL



Congratulations and thank you for choosing an
Aspire Vida, Vida MG and Vida X Wheelchair.

This product has been designed to offer the maximum
in comfort, safety and lightweight portability. Aspire Vida
Wheelchairs are suitable for indoor and limited outdoor use.

**It is important that you read this user manual carefully
before using your new wheelchair.**

TABLE OF CONTENTS

1. Symbols Used In This Manual	4
2. Symbols Used On The Product	4
3. Intended Use	5
4. Product Description	5
5. Warnings	6
6. Product Specifications	6
7. List Of Components	7
8. Assembly Instructions	8
9. Preliminary Checks	9
10. General Operation	9
11. Attendant Handbrake Operation	13
12. Adjusting Your Wheelchair	14
13. Accessories	15
14. Installing Anti-Tippers (Must Be Installed)	16
15. Troubleshooting	17
16. Care & Maintenance	18
17. Warranty	19
18. Compliance	19
19. Service Maintenance & Customisation	19
20. Recycling Information	20
21. Manufacturer, EU Representative & Importer Details	20
22. Service Log Book	21



This product Features the UKCA mark, in compliance with Part II UK MDR 2002 (as amended) Class 1.



This product features the CE mark, in compliance with the Medical Devices Regulation 2002 (as amended) Class 1,
and the Medical Device Regulation 2017/745



IMPORTANT: Do not use an Aspire Wheelchair without having first read this user manual

© Aidacare Limited 2024

No part of this user manual may be copied, distributed, reproduced, scanned or stored on any electronic database, whether in whole or in part in any form or by any means.

Due care has been taken to ensure all the information contained in this user manual is correct at the time of printing. All measurements, pictures, colours and weight capacities are to be used as a guide only. We reserve the right to modify the design or appearance of any product displayed in this user manual without prior notice.

1. SYMBOLS USED IN THIS MANUAL

The symbols below are used throughout this user manual and on the product to identify warnings and important information. It is very important for you to read them and understand them completely.



WARNING! Indicates a potentially hazardous condition/situation. Failure to follow designated procedures can cause either personal injury, component damage or malfunction. On the product, this icon is represented as a black symbol on a white triangle with a black border.



ALWAYS! These actions should be performed as specified. Failure to perform mandatory actions can cause personal injury and/or equipment damage. On the product, this icon is represented as a white infinity symbol on a black dot with a white border.



DO NOT! These actions are prohibited. These actions should not be performed at any time or in any circumstances. Performing a prohibited action can cause personal injury and/or equipment damage. On the product, this icon is represented as a white symbol with a black circle and black slash.

2. SYMBOLS USED ON THE PRODUCT

Please note: Stickers are not shown to scale.

Product Code	Safe Working Load
Serial Number	Read User Manual
Manufacturer	Caution
Importer	Medical Device
Country of Manufacture	Authorised Representative in EU
Not Crash Tested	CE Mark
UKCA Mark	

3. INTENDED USE

This product is specifically designed for individuals who, due to a wide variety of reasons, have limited mobility or are unable to walk. This product should be used as a tool to assist with mobility or walking difficulties.

Attendant Propelled Wheelchairs are able to be propelled by an attendant with the push handles. This wheelchair is designed for indoor and limited outdoor use. When used outdoors this wheelchair must remain on sealed, level terrain (examples include but are not limited to shopping centres, medical centres, flat and level footpaths, and environments with accessibility-focused layouts). When using outdoors it is suggested that anti-tip wheels are fitted.

Self Propelled Wheelchairs are able to be propelled by a user with the self-propelling wheels or by an attendant with the push handles. This wheelchair is designed for indoor and limited outdoor use. When used outdoors this wheelchair must remain on sealed, level terrain (examples include but are not limited to shopping centres, medical centres, flat and level footpaths, and environments with accessibility-focused layouts). When using outdoors it is suggested that anti-tip wheels are fitted.



WARNING! This wheelchair is intended to bear the weight of an occupant through its wheels during propulsion and when stationary. It is **NOT** designed to be lifted/carried with an occupant in the seat and doing so may cause serious injury or death.



WARNING! Transportation in a Vehicle

This wheelchair is NOT designed or tested to carry an occupant for transportation in a motor vehicle. When travelling in a motor vehicle the occupant should sit in the vehicle seat with seat belt fastened and the wheelchair be folded and securely stored in the luggage compartment.

4. PRODUCT DESCRIPTION

Attendant Propelled

Attendant Propelled models are four wheel wheelchair with a cross folding frame. The product is made from aluminium, so it is light and easy to store or transport. This wheelchair offers great manoeuvrability, stability and it's leg rests are height adjustable for a customised fit. It is equipped with a padded mesh seat and backrest, push handles, 13 inch rear wheels, swing-away legrests and padded armrests.

NOTE : Aspire VIDA MG Wheelchairs are made from Magnesium, not Aluminium.


Self Propelled


Self Propelled models are four wheel wheelchairs with a cross folding frame. The product is made from aluminium, so it is light and easy to store or transport. These wheelchairs offer great manoeuvrability, stability and their leg rests are height adjustable for a customised fit. They are equipped with a padded mesh seat and backrest, push handles, 22 inch rear wheels, swing-away legrests and padded armrests.

NOTE : Aspire VIDA MG Wheelchairs are made from Magnesium, not Aluminium.


5. WARNINGS

MAXIMUM WEIGHT CAPACITY – 135kg / 21st

 **DO NOT** exceed maximum user weight. This weight limit includes any accessories, shopping or other personal items that may be carried on the chair. The maximum weight capacity is defined with respect to a typical body shape, where body mass is evenly distributed. Users with dysmorphic body shapes or amputees should be assessed by an accredited healthcare professional prior to choosing/using this wheelchair.

 **DO NOT** stand on the foot plates as the wheelchair may tip forwards. The foot plates are not designed to be a weight bearing surface.

 **DO NOT** use the wheelchair on escalators, even if accompanied by an attendant.

 **CAUTION!** Product may become hot if left in direct sunlight or close to a heat source due to metal frame

WARNING

6. PRODUCT SPECIFICATIONS

Model	Overall Length mm/in	Overall Width mm/in	Overall Height mm/in	Seat Depth mm/in	Seat Width mm/in	Anterior Seat Height mm/in	Posterior Seat Height mm/in	Backrest Height mm/in	Armrest Height mm/in	Total Chair Weight kg/lbs	Rear Wheel in
Vida - AP	995/39	600/23.5 650/25.5 680/27	930/36.5	420/16.5	400/16 450/18 500/20	500/19.5	460/18	430/17	200/8	9.7/21 9.7/21 10.2/22.5	13
Vida MG - AP	995/39	650/25.5	930/36.5	420/16.5	450/18	500/19.5	460/18	430/17	200/8	9/20	13
Vida - SP	1040/41	630/25 690/27 710/28	950/37.4	420/16.5	400/16 450/18 500/20	500/19.5	460/18	430/17	200/8	11.5/25 11.5/25 12/26.5	22
Vida MG - SP	1040/41	690/27	950/37.4	420/16.5	450/18	500/19.5	460/18	430/17	200/8	11/24	22
Vida X - SP	1040/41	690/27	950/37.4	420/16.5	450/18	500/19.6	460/18	430/17	200/8	12.2/26.7	22

MINIMUM CHAIR WEIGHTS



Vida - 400/450mm
Vida X - 450mm



Vida - 500mm



Vida MG - 450mm

SAFE WORKING LOAD



Vida
Vida X



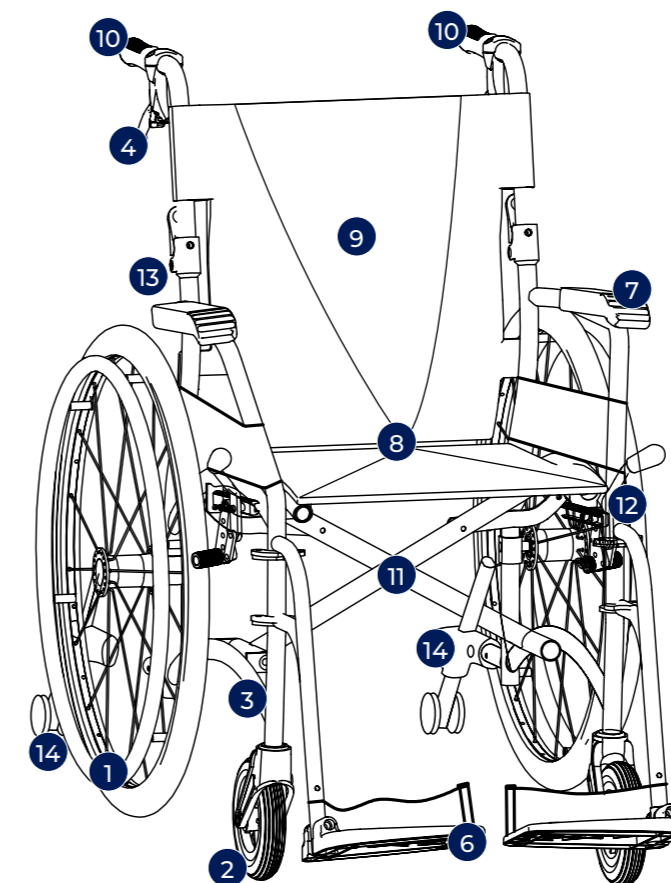
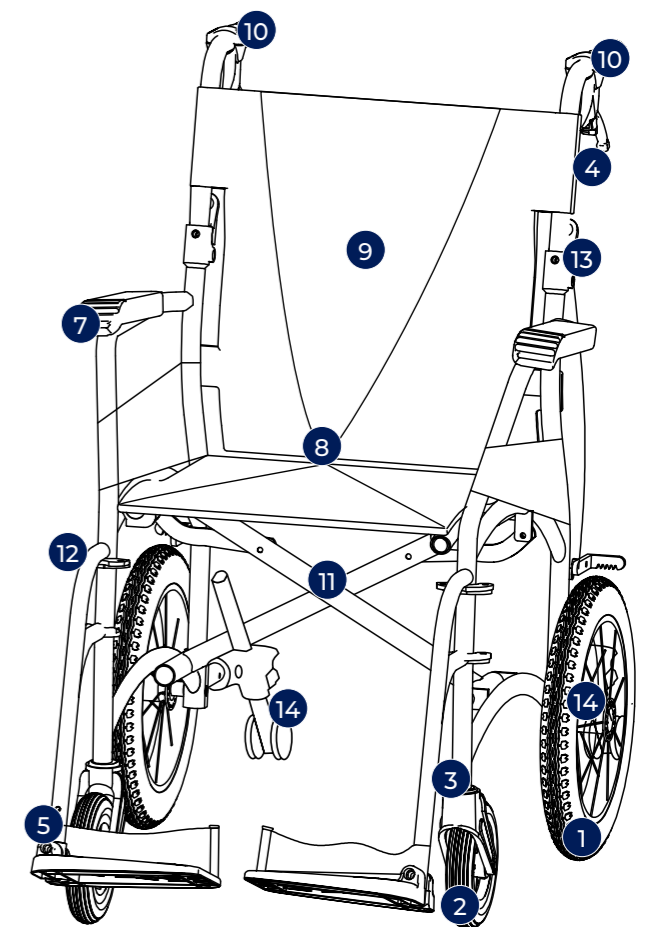
Vida MG

7. LIST OF COMPONENTS

VIDA / VIDA MG / VIDA X

1	13" Rear Wheels (AP) 22" Rear Wheels (SP)
2	6" Front Wheels
3	Wheel fork
4	Attendant Brakes
5	Height Adjustable Legrests
6	Folding Foot Plates
7	Padded Armrests
8	Padded Seat Upholstery
9	Folding Backrest with Padded Upholstery and Carry Pouch
10	Attendant Hand Grips
11	Frame Cross Bar
12	Legrest Removal Lever
13	Folding Backrest Lever
14	Anti Tipper

Attendant Propelled



Self Propelled

8. ASSEMBLY INSTRUCTIONS

BOX CONTAINS

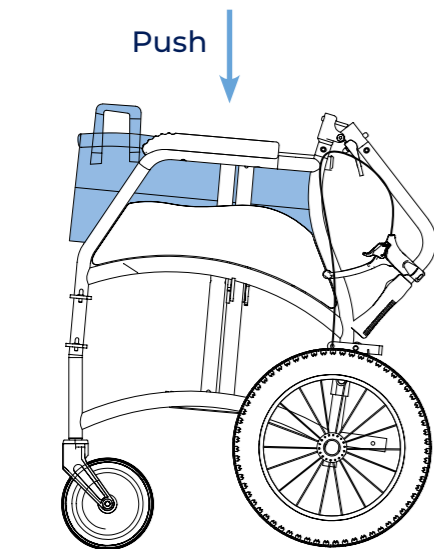
Wheelchair frame fitted with rear wheels

- Wheelchair
- Left Legrest
- Right Legrest
- Allen Keys
- User Manual

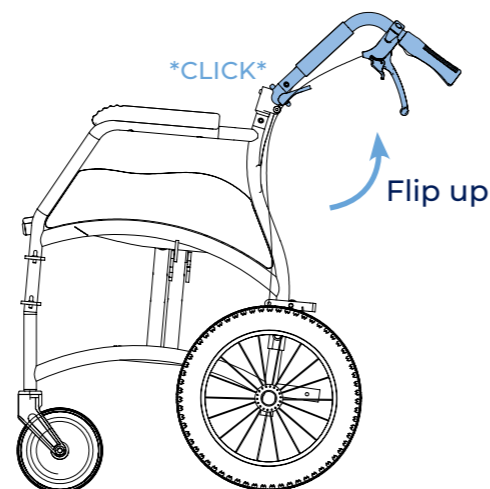


When opening the carton, ensure it is done in a safe and careful manner. **DO NOT USE** a box cutter or sharp implement as this may damage the product. For WH&S purposes, lay the carton on its side with the top of the carton open and slide the plastic bag out containing the wheelchair.

- 1 Place the wheelchair on levelled ground. Then pushdown on the side rails of the seat until flat.

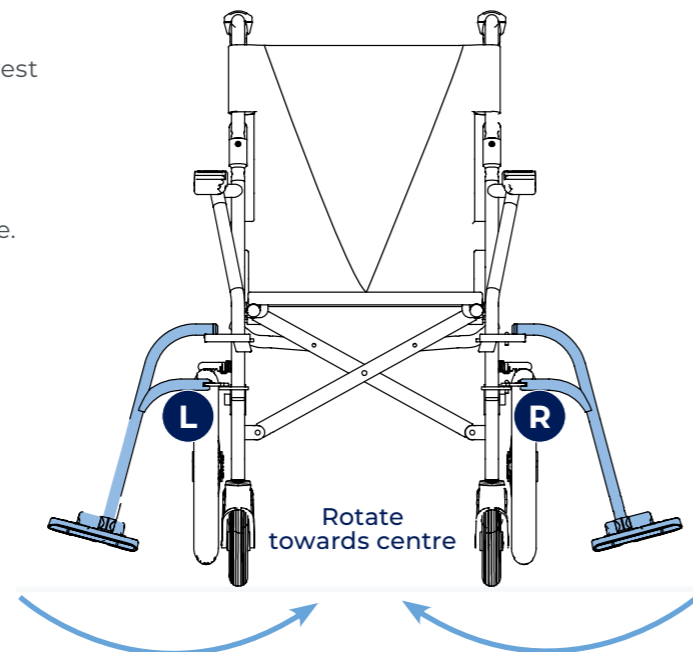


- 2 Flip up and click backrest into place **IMPORTANT:** Ensure your fingers are kept clear from the pivoting mechanism.



- 3 Wheelchairs come with a left and right legrest

1. Insert the legrest into the corresponding receiver at a 90° angle (as shown).
2. Rotate legrest towards the centre until it clicks into place. Repeat for the other side.



9. PRELIMINARY CHECKS

After assembling the wheelchair, these checks should be completed prior to initial use:

1. Check that the seating surface is locked into place, creating a flat support surface.
2. Check that rear wheels are locked in place.
3. Check that rear brakes engage and disengage.

10. GENERAL OPERATION

10.1 GENERAL OPERATION

It is very important that this wheelchair is used under guidance from all warnings or hazards listed in this product user manual. Key safety measures should be taken by both users and attendants when using this wheelchair:

- Avoid quick direction changes.
- Ensure your wheelchair is used on surfaces intended for its use.
- Ensure an attendant is available to assist at all times.

10.2 LIFTING THE WHEELCHAIR

To fold your chair correctly follow the 'ASSEMBLY' instructions in reverse **3, 2, 1**.

Then, use the carry handle on the seating surface to safely lift the wheelchair.

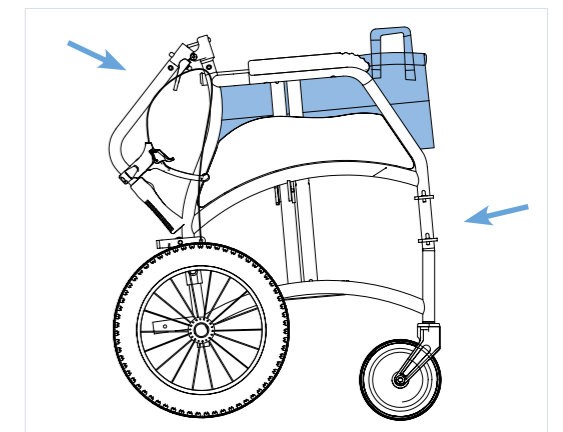


DO NOT lift the wheelchair with an occupant in the seat. This lifting guide is for safe handling of the wheelchair only.



WARNING

WARNING! DO NOT lift the wheelchair by holding it by the legrests or the armrests! Fold-up the footplates, or remove the legrests, prior to lifting the chair.



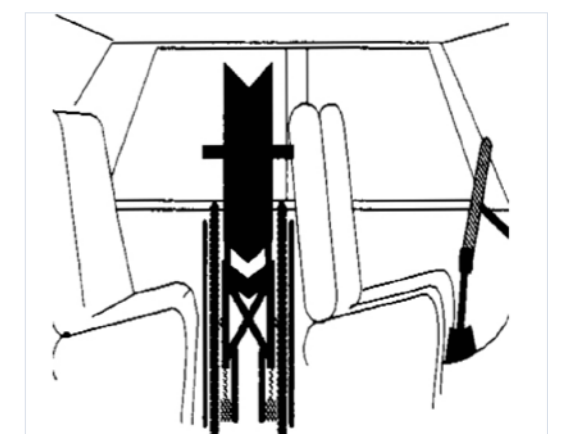
10.3 TRANSPORTING THE WHEELCHAIR

To transport this chair in a motor vehicle it is suggested that the backrest, seat and footplates are folded as per the "Lifting the Wheelchair" instructions above. This will help reduce the overall chair size in order to fit into the rear boot or backseat of a standard motor vehicle.



WARNING

WARNING! Aspire Vida Wheelchairs are **NOT** crash tested and **SHOULD NOT** ever be used as a means of transporting a user in a motor vehicle.



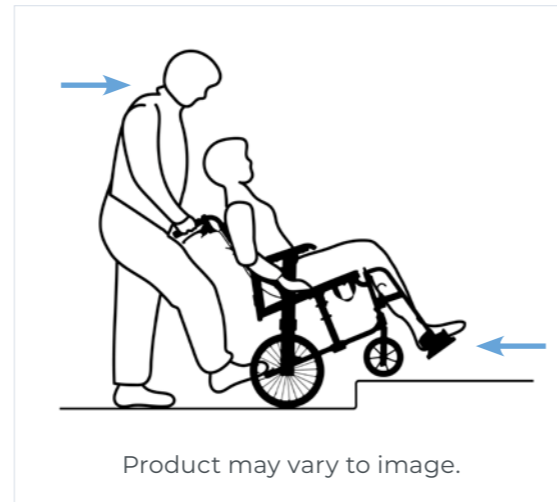
10.4 MOVING WHEELCHAIR UP A KERB WITH AN ATTENDANT

1. Push the wheelchair up to the kerb **FEET FIRST**.
2. The attendant should push down on the rear foot peg to slightly incline the chair. **DO NOT** tilt the chair back with the push handles.
3. Once the front wheels are firmly on the ground above the kerb, the rear wheels should be pushed against the kerb to propel the entire chair to rest above the kerb.



WARNING

WARNING! This should only ever be done with an attendant and not performed by a user on their own. It is very important the above steps are followed to prevent injury to both the user and the attendant.



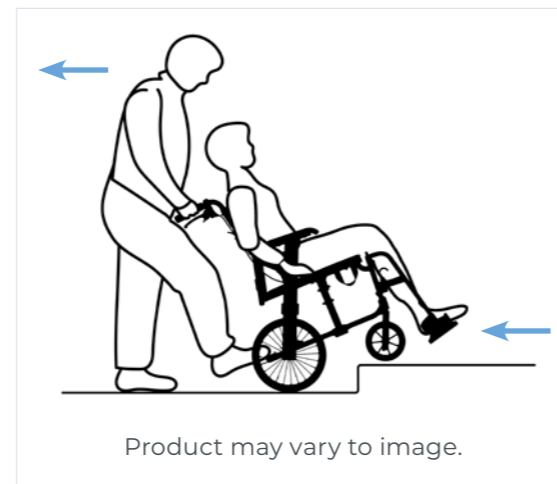
10.5 MOVING WHEELCHAIR DOWN A KERB OR SINGLE STEP WITH AN ATTENDANT

1. Reverse the wheelchair up to the kerb **FEET LAST**.
2. The attendant should check for cars or obstructions prior to commencing the descent.
3. The attendant should slowly lower the rear wheels down to the road surface, ensuring not to tip the chair.
4. Once the rear wheels are firmly on the road surface, the front wheels should be slowly lowered onto the road surface.



WARNING

WARNING! This should only ever be done with an attendant and not performed by a user on their own. It is very important the above steps are followed to prevent injury to both the user and the attendant.



10.6 MOVING WHEELCHAIR DOWN A KERB OR SINGLE STEP WITH AN ATTENDANT



WARNING

WARNING! This wheelchair is designed for safe use on level ground and forward/rearward slopes of up to 6 degrees. This equates to a 1:10 rise over run. Users should not exceed 6 degree slopes, even with tippers extended.



WARNING

WARNING! Exceeding a gradient beyond 6 degrees may beach the wheelchair on the extended tippers leaving it unsteady and immovable for an occupant.



WARNING

WARNING! Exceeding a gradient beyond 6 degrees without anti-tippers extended may cause the wheelchair to tip rearwards unless an attendant or carer is behind the wheelchair. In the absence of an attendant or carer such situations may risk serious injury or death to the user.



WARNING

ALWAYS ensure that a carer is behind the wheelchair when navigating gradients over 6 degrees.



WARNING

ALWAYS ensure anti-tippers are in the extended position when an attendant is not behind the chair.



WARNING

WARNING! Sloped or uneven terrain

This wheelchair is designed for use on flat-level surfaces. If encountering sloped or uneven terrain an alternative route should be sought. If impossible a carer should always be present, and use the attendant brakes to control speed and ensure the wheelchair continues straight forward until reaching flat ground.

OTHER IMPORTANT WARNINGS



WARNING

WARNING! Maintaining stationary position

When not propelling the wheelchair the brakes should be applied in the locked position at all times.



WARNING

WARNING! Protecting hands when self-propelling

When slowing or braking the wheelchair using the self-propelling hand rims, heat can be created via friction. To protect the skin integrity of the hands, it is strongly suggested that the user wear wheelchair gloves.



WARNING

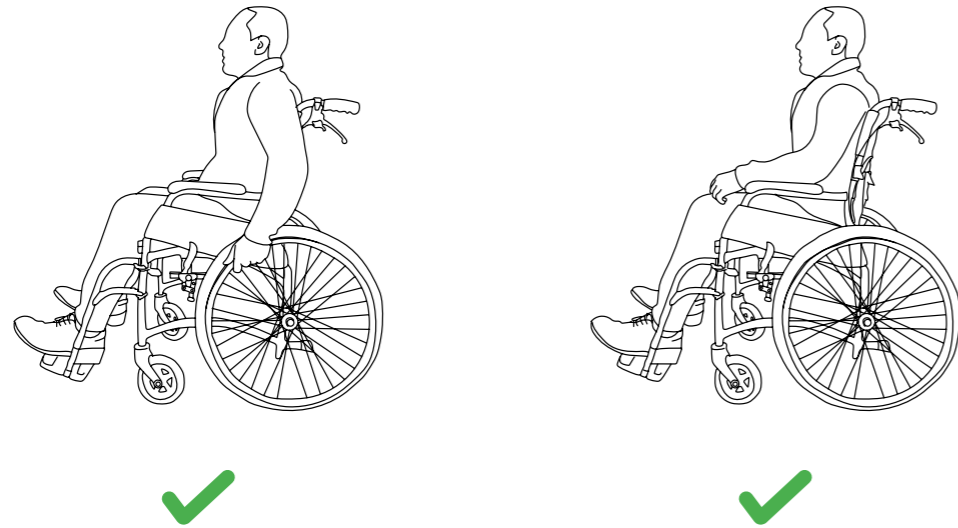
WARNING! DO NOT travel down kerbs or single steps without an attendant carer **NEVER** attempt to transit down multiple steps with or without an attendant carer.



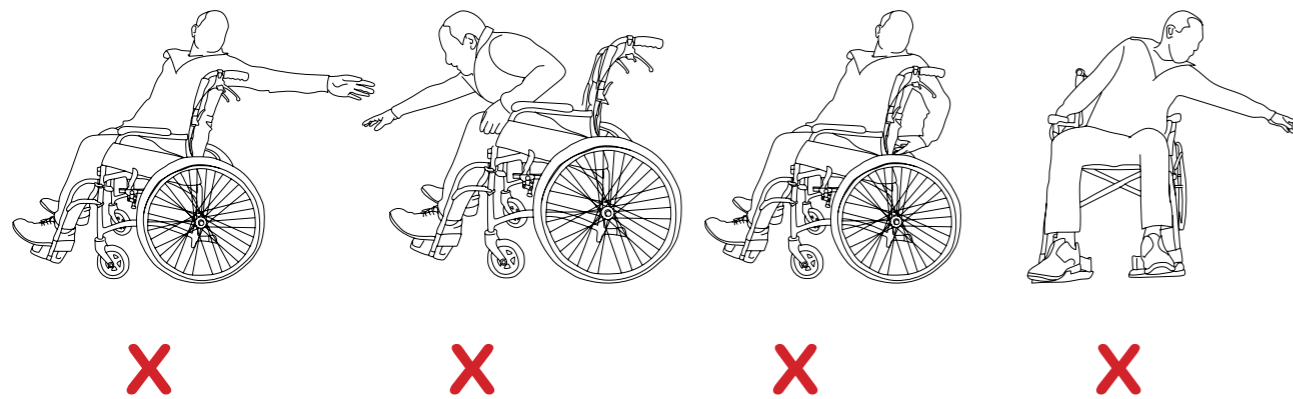
WARNING

WARNING! When self-propelling the wheelchair, it is strongly suggested that anti-tip wheels are fitted. If anti-tip wheels are in the raised position or not fitted to the chair an attendant carer should stand behind the wheelchair holding the handles.

SAFE USE



UNSAFE USE



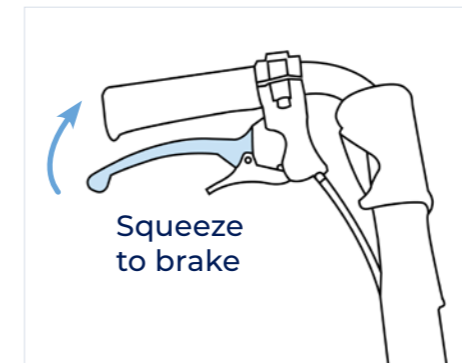
WARNING

Warning! Avoid reaching from within the wheelchair
 To ensure the upright stability of the wheelchair, never reach for objects as this changes the centre of mass and may cause the chair to tip over in the direction of reaching.
 This warning relates to reaching in any direction outside the perimeter of the wheelchair.

11. ATTENDANT HANDBRAKE OPERATION

11.1 HOW TO ACTIVATE BRAKES

Activating Brakes



BRAKE: To engage brakes, squeeze the handbrake in an upwards direction.



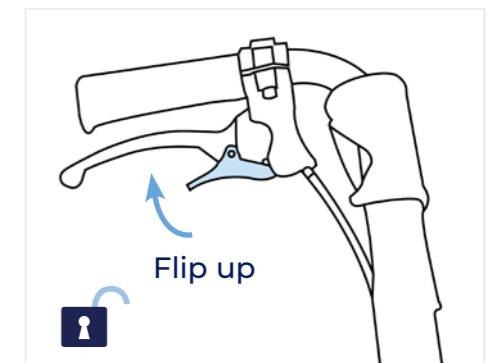
RELEASE BRAKE: To disengage brakes, release the handbrake.

11.2 HOW TO LOCK CARER HANDBRAKES

Lock / Unlock



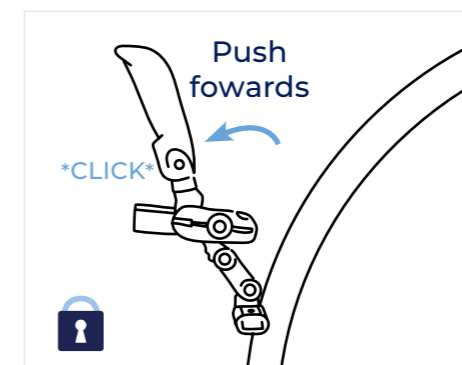
LOCK: To engage brakes, squeeze the handbrake in an upwards direction. Press down on the switch until it clicks, this will lock the brakes.



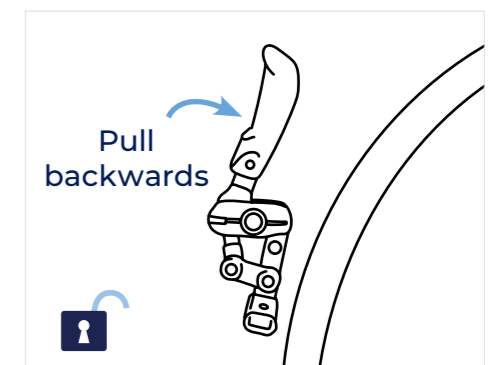
UNLOCK: To disengage brakes, flip the switch upwards.

10.3 HOW TO LOCK USER HANDBRAKES

Lock / Unlock



LOCK: To engage brakes, push the hand brake in a forwards direction until it clicks, this will lock the brakes.



UNLOCK: To disengage brakes, pull the hand brake in a backwards direction.

12. ADJUSTING YOUR WHEELCHAIR

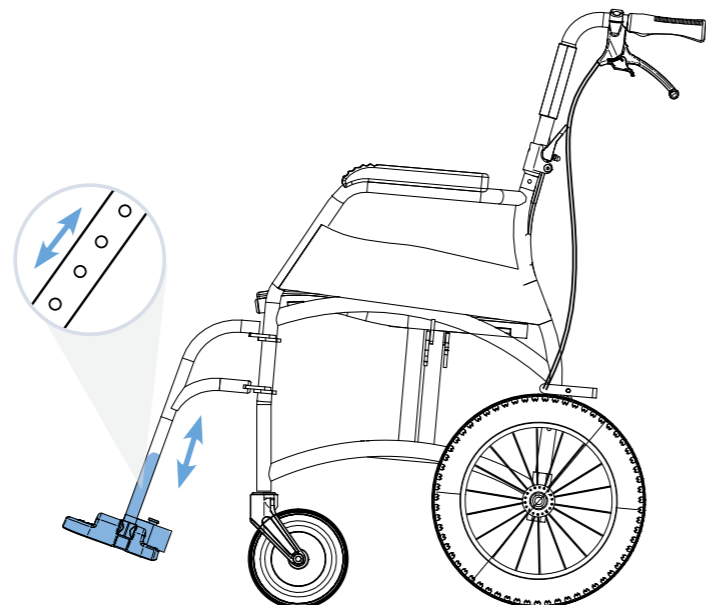
12.1 ADJUSTING LEGREST HEIGHT

TOOLS REQUIRED

5mm Allen Wrench

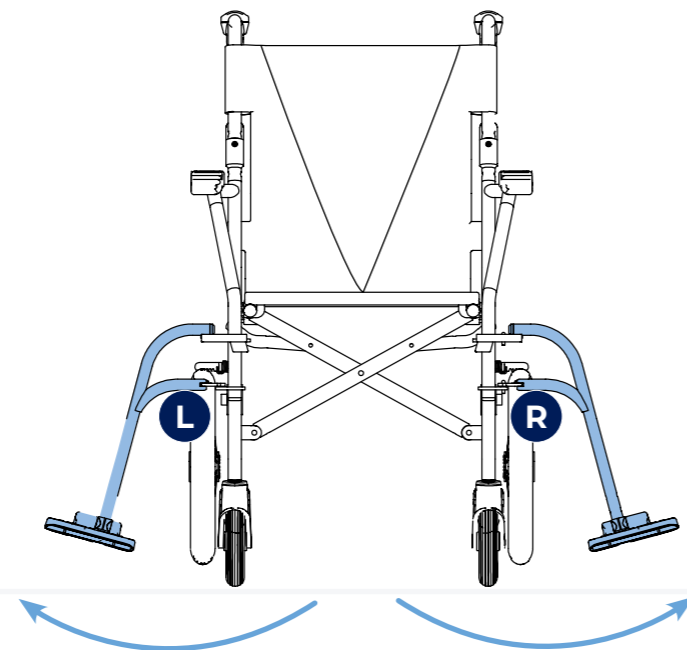


- 1 Using a 5mm Allen key loosen the bolt and remove the centre pin.
- 2 Nominate the preferred height by raising or lowering footplate.
- 3 To secure, align the centre pin with the chosen hole and tighten.



12.2 REMOVING LEGRESTS

- 1 Pull release latch outwards and hold the latch, simultaneously rotating the legrest (away from the centre of the chair) in an outwards direction until loose. Repeat for the other side.



13. ACCESSORIES

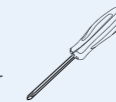
LAP BELT

WCA848300



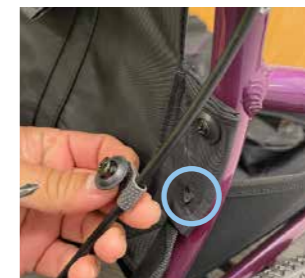
TOOLS REQUIRED

5mm Phillips Head Screwdriver



INSTALLING THE LAP BELT

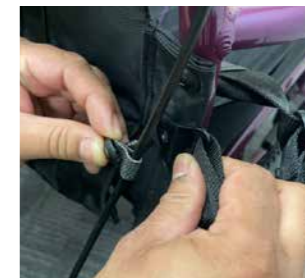
- 1 Remove screws (both sides) from the lower backrest mounting point.



- 2 With screws removed, align the seatbelt mounting clip with the frame and fasten it in place with the same screw removed 1.

The screw should go through the mounting clip, upholstery and into the same frame location (both sides).

Ensure it is locked firmly in place to make sure the seatbelt is securely fitted to the frame.



- 3 Adjust the length of the lap belt so that it fits comfortably around the user.



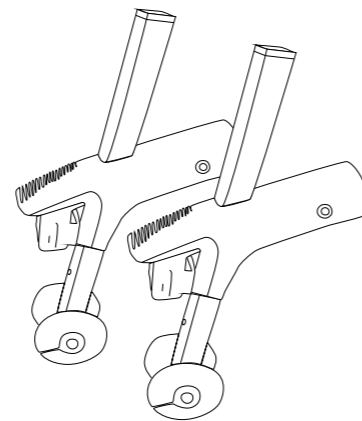
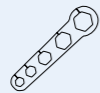
14. INSTALLING ANTI-TIPPERS

ANTI TIPPERS MUST BE INSTALLED BEFORE USE

WCA848275

TOOLS REQUIRED

Wrench (Included in box)



1 Twist and remove end cap (both sides).



2 Remove bolt and nut from tipper.
Slide tipper over tube.
Place bolt through tipper and tube.
Use the wrench to secure the nut.



3 The anti-tip wheel height range is adjustable for improved mobility during carer transportation.



IMPORTANT! Refer to section 10.6 for safe use of anti tippers when moving wheelchair with and without a carer and on even or sloped terrain.

15. TROUBLESHOOTING

Wheelchair is steering/pulling to one side

Ensure rear wheel quick-release axles are locked securely in place. This can be checked by raising the rear wheels off the ground and pulling gently outward at the wheel hub. When locked in place the locking balls should be visible at the inner end of the axle sleeve.

Make sure the end user is able to evenly distribute his/her weight on the wheelchair.

Make sure each wheel rotates freely.

Wheelchair is moving slowly

Make sure the rear wheels are attached correctly to the frame.

Remove any hair or dirt from castor and rear wheel axles.

Make sure there is not too much weight applied to the castors, otherwise adjust the centre of gravity.

Ensure user clothing is not interfering with movement of the rear wheels.

Ensure both brakes are disengaged.

Wheelchair does not turn smoothly

Make sure the front fork bolts are not over tightened which can restrict front castor wheel rotation.

Remove any hair or dirt from castor axles.

Ensure both brakes are disengaged.

Brakes are not working properly

Check distance between tyres and brake foot is sufficient such that the requisite amount of force can be applied to the tyre surface to stop it moving when the brake is in the engaged position.

Wheelchair cannot be opened or folded easily

Clean the crossbar under the seat and apply some grease.

Check that nothing has become lodged under the seat or in and around the cross bar mechanism.

Check foot plates are folded up.

NOTE: Correct adjustment of the wheelchair is essential for the successful and safe use of this product.

NOTE: Should assistance be required, contact Aidacare.

16. CARE & MAINTENANCE

MAINTENANCE SCHEDULE

Weekly	<p>Check brakes are functioning properly</p> <p>Check all fastenings such as nuts, bolts and hinges are fastened correctly and functioning normally</p>
Periodically	<p>Check for signs of wear on front castors</p> <p>Check for signs of wear on rear tyres</p>
Yearly	Service to be completed by authorised Aspire service agent
Serviceable Components	<p>Wheels & tyres</p> <p>Forks</p> <p>Axles</p> <p>Armrest receivers</p> <p>Seat sling</p> <p>Footrest mounts</p> <p>Footplates</p> <p>Armrest pads</p>

16.1 CARE FOR YOUR CHAIR

- Check tyre condition at least twice per month.
- Check that rear wheel spokes are not loose. Loose wheel spokes can reduce the strength of the rims and must be safely adjusted by a qualified technician.
- Always keep rear wheel axles clean and free from dirt and hair build up.
- Brakes should be checked regularly.

16.2 CLEANING INSTRUCTIONS

- Clean the wheelchair regularly with a damp cloth
- Use a mild washing agent and warm water for excess dirt build-up
- **DO NOT** use harsh abrasive or bleach-based agents which may cause damage or discolouration.
DO NOT use the wheelchair if damages are found on the seat or backrest upholstery.
- Dry with a soft cloth

Should you have any doubts about the correct functioning of the wheelchair or any of its components, please contact Aidacare.

17. WARRANTY

5 YEARS WARRANTY
Frame

1 YEAR WARRANTY
Components

Aspire Vida Wheelchairs come with a 5-year warranty (frame) and a 1 year warranty (components).

Please keep purchase invoice as proof of warranty commencement.

This product carries a warranty that varies by component part. The frame and cross frame carry a 5-year warranty, and all other components except consumables (armrest pads, tyres, castors, and upholstery) carry a 1-year warranty. Consumable parts (armrest pads, tyres, castors and upholstery) carry a 1 year warranty against manufacturer defect only, and do not cover wear and tear through use.

For further information contact Aidacare.

18. COMPLIANCE

This Wheelchair range is manufactured in ISO compliant production facilities in P.R China to strict quality control standards.

Aspire wheelchairs are manufactured and independently tested to the market relevant compliance standards.

Labels on the wheelchair address compliance requirements and users should familiarise themselves with these prior to use.

19. SERVICE MAINTENANCE & CUSTOMISATION

FOR ALL ENQUIRIES PLEASE CONTACT YOUR LOCAL AIDACARE BRANCH

19.1 SPARE PARTS

Aidacare stock replacement parts for the Aspire wheelchair range. All replacement of parts should be completed by Aidacare or authorised Aspire service technician. The term parts includes but is not limited to: tyres, brakes, armrests, footrests and upholstery.

A complete parts list is available upon request.

19.2 CUSTOMISATION AND MODIFICATION

All wheelchair customisation, modifications and or alterations made to this product are considered as "custom" changes. These may cause the product to no longer meet safety standards and should be considered prior to commencement.

Any customisation or modification of the wheelchair is not warranted by Aidacare and will void warranty.

20. RECYCLING INFORMATION

Aspire VIDA Wheelchairs are made from metal and plastic components. The chair can be recycled via standard processes in your city of use.

21. MANUFACTURER, EU REPRESENTATIVE & IMPORTER DETAILS

If you have any questions, you can contact:



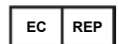
Manufacturer:

Aidacare Pty Ltd

ABN 40 134 398 833

Building 3A, 1 Moorebank Avenue,
Moorebank NSW 2170
Australia

1300 133 120 | product@aidacare.com.au



EU Representative:

European Healthcare & Device Solutions (Ireland) Ltd

Stratton House, Bishopstown Road
Cork T12 Y9TC
Ireland

info@europeandevicesolutions.eu



Importer:

Aidacare Ltd

Registration 13785408

Arcadia House, Maritime Walk, Ocean Village,
Southampton SO14 3TL
United Kingdom

01622 541235 | info@aidacare.co.uk

22. SERVICE LOG BOOK

Year 1	Date: _____
Service Type: _____	
Condition Report: _____	
Inspected by: _____	Signature: _____
Action taken: _____	Date: _____

Year 2	Date: _____
Service Type: _____	
Condition Report: _____	
Inspected by: _____	Signature: _____
Action taken: _____	Date: _____

Year 3	Date: _____
Service Type: _____	
Condition Report: _____	
Inspected by: _____	Signature: _____
Action taken: _____	Date: _____

Year 4	Date: _____
Service Type: _____	
Condition Report: _____	
Inspected by: _____	Signature: _____
Action taken: _____	Date: _____

Year 5	Date: _____
Service Type: _____	
Condition Report: _____	
Inspected by: _____	Signature: _____
Action taken: _____	Date: _____

AIDACARE PTY LTD

Building 3A, 1 Moorebank Avenue,
Moorebank NSW 2170
Australia

1300 133 120 | aidacare.com.au

AIDACARE LIMITED

Arcadia House, Maritime Walk,
Ocean Village, Southampton SO14 3TL
United Kingdom

01622 541235 | aidacare.co.uk

MADE IN PRC

ASUM89.36 121224



ANTI-TIPPERS

Anti-tippers are small wheels attached to the back of a wheelchair to prevent it from tipping over backward. We recommend customers use anti-tippers and always keep them extended, especially when there is not an attendant pushing the chair.



Increased Safety: Anti-tippers reduce the risk of the wheelchair tipping backward, which helps prevent injury.



Better Stability: These wheels make the wheelchair more stable, especially when going over rough ground or up steep slopes.



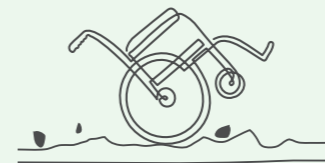
Peace of Mind: Anti-tippers give both users and caregivers confidence that the wheelchair will stay stable. This allows users to relax in their preferred position without fear of tipping over.



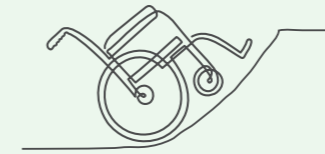
Maintaining Stability

COMMON CAUSES OF WHEELCHAIR TIPS AND FALLS

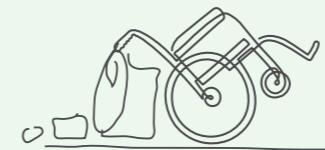
Understanding why wheelchairs tip over and how to prevent it is essential for users and caregivers to stay safe. Here are some common causes:



Uneven Surfaces: Bumpy paths, cracked sidewalks, and rough ground can make a wheelchair tilt and possibly tip over.



Steep Slopes: Going up or down steep slopes without help can cause tipping. Every wheelchair has a limit to how steep a slope it can handle, so always check the user manual.



Weight Balance: Putting heavy bags on the back of the wheelchair or hanging things from the handles can make the wheelchair unbalanced and more likely to tip.



Sudden Stops or Turns: Stopping or turning quickly, especially on slippery surfaces or at high speeds, can increase the risk of tipping.



WARNING

6°



IMPORTANT! The maximum slope/gradient for safe use of Aspire wheelchairs is 6°, this equals a rise over run ratio of 1:10. For steeper gradients, anti-tippers should be raised and a carer/attendant should stand behind the chair holding the push handles.

Anti-Tippers work effectively up to this gradient, steeper surfaces should always be avoided.