












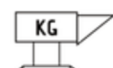
Ellipse Heavy Duty Aluminium Rollator

Product Code: 9346376000765

Features:

- Improved Durable Finish
- Safely Hidden Brake Cable
- Unique Suspension System
- Easily Foldable for Storage
- Adjust Height Tool-Free
- Adjust Brake Tool-Free



Length (cm)	 49.5	Folded Width (cm)	 22.6	Front Castor Diameter (cm)	 25.4/10"
Width (cm)	 61	Seat Depth (cm)	 22	Rear Castor Diameter (cm)	 20.4/8"
Max Height (cm)	 104	Seat Width (cm)	 58.4	Max Load (kg)	 205
Minimum Height (cm)	 91.5	Seat Height from the Ground (cm)	 60	Net Weight (kg)	 9.3

User Manual

Ellipse Heavy Duty Rollator



Aluminum Rollator

Thank you for purchasing the Peak-Care Ellipse Heavy Duty (Ellipse-HD) Rollator. The Walking aid is suitable for a single user with limited mobility. The Ellipse-HD is ideal for indoor and outdoor use.

Kindly take time to go through this manual which gives you more details about your Ellipse-HD Rollator. Kindly keep this booklet handy and use it as and when required.

Ellipse-HD is warranted to be free of defects in material and workmanship for twelve months from the date of purchase

This device was built to exacting standards and carefully inspected prior to packing and shipping. This warranty is an expression of our confidence in the materials, our workmanship and an assurance of the same to our customers.

In the event of a defect covered by this warranty, we will at our option supply parts or replace the unit.

This warranty does not cover device failure due to owner's misuse or negligence or normal wear and tear. This warranty does not extend to nondurable components such as rubber accessories, castors and grips, which are subject to normal wear and need periodic replacement.

This equipment does not contain any user serviceable parts. Any damaged components of the rollator should only be replaced with genuine, original parts available from Peak Care Equipment.

If you have any queries, please contact the distributor

Kindly attach your receipt to this booklet

PARTS LIST



- | | |
|-----------------------------------|------------------------|
| 1. Handgrip | 7. Seat |
| 2. Adjustable tubing hand grip | 8. Bag |
| 3. Rear reflector handgrip | 9. Front wheel |
| 4. Brake lever | 10. Brake adjust screw |
| 5. Interlock button for handgrips | 11. Rear wheel |
| 6. Back Strap | 12. Safety latch |

INTRODUCTION

The Walking aid is suitable for a single user with limited mobility. The Ellipse-HD is ideal for indoor and outdoor use.

ELLIPSE-HD PACK INCLUDES

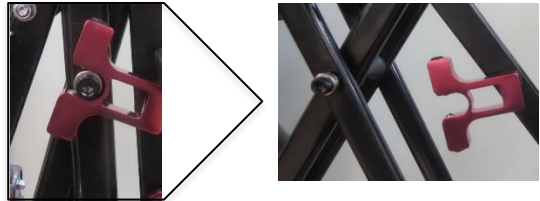
<p>1 Ellipse-HD Rollator</p> 	<p>2 Bag</p> 	<p>3 Back Strap</p> <p>1027704</p> 	<p>4 User Manual</p> 
---	---	--	---

UNFOLDING ELLIPSE-HD

Make Ellipse-HD stand on wheels



Pull the handles outward to unlock the Safety latch

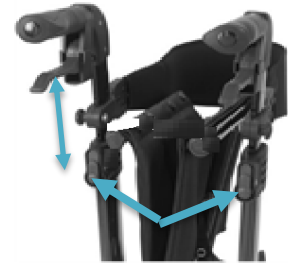


Push downwards on the seat rails to engage the locking mechanism.



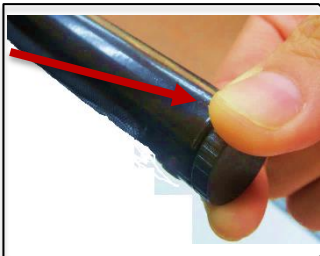
HEIGHT ADJUSTMENT

Press the red release button located below the handgrips as shown and at the same time either push the handle down (lowering handle height) or pull the handle up (raising handle height), releasing the push button will automatically lock the handle at desired height.



ATTACHING THE CARRY BAG

Fold Ellipse -HD, Remove the stopper from the tube on either side of the seat, push the sliding block from bag into the guiding sleeve and put the stopper back in place.



BRAKING / LOCKING

Pull both brake levers upwards to apply the brakes while the Ellipse -HD is moving.
Always brake slowly and steadily

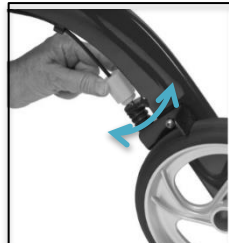
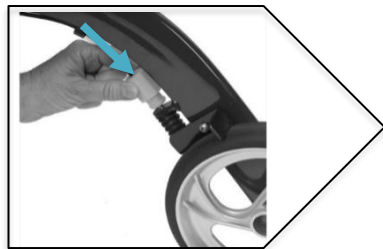
Press both brake levers down to apply locks while the Ellipse -HD is stationary.
Pull up the brake levers and release the locks



The effect of the brakes can be affected by abrasion of the wheels. Test the brakes regularly.

ADJUSTMENT OF BRAKES

To adjust the braking strength, adjust the brake by pressing the screw housing downwards and then left or right



SITTING

Position the Ellipse-HD on an even and solid surface.
Lock the brakes (parking position). The Ellipse-HD must stand and must not slip.
Sit straight up and do not lean backwards



FOLDING/ TRANSPORT/ STORAGE

To fold, pull seat upwards by the handle of the seat plate



Push the handles together inward till you hear a click noise.
See below:



CLEANING AND MAINTENANCE

Clean regularly by hand with a damp cloth. Do not use aggressive detergents.

SAFETY INSTRUCTIONS

IMPORTANT → **Do not propel yourself or have anyone push you whilst you are seated on the Rollator. This is a walking aid only and is not to be used as a transportation device.**

- Use only as walking aid
- Use only on even and solid surfaces
- Maximum user weight: 204 Kg
- Regularly check the screws and fasteners on the Ellipse -HD and retighten if necessary.
- Use bag only for transport of objects and do not overload. Maximum load: 5 Kg
- Do not expose the product to temperatures above 40 °C for an extended period of time, as this can cause the Ellipse-HD parts to overheat and burn the user
- Please make sure the Rollator is fully opened, seat is down and the folding bar under seat is locked in the down position.
- Ensure that both knobs are fully tightened and are at equal heights. Test Rollator for stability before applying full weight to hand grips.
- Test the brake lever before operating the Rollator. When wheels are locked, lock bar on rear wheels should prevent wheels from turning. When locks are released, the wheels should turn freely.
- Always lock the brake lever before sitting and do not use seat when unit is on an incline or uneven ground.
- Replace castors when tyres are significantly worn or damaged.

SPECIFICATIONS

	<i>Ellipse-HD</i>
<i>Overall length</i>	495mm
<i>Overall width</i>	610mm
<i>Handle (Highest)</i>	1040mm
<i>Handle (Lowest)</i>	915mm
<i>Seat width</i>	584mm
<i>Seat height</i>	600mm
<i>Product weight</i>	9.30Kg
<i>Weight limit</i>	205kg
<i>Wheel diameter Rear</i>	254mm
<i>Wheel diameter Front</i>	204mm



Level 1, 149 Princes Highway
Unanderra NSW 2526
Australia
Tel: +61 2 4272 2688. Fax: +61 2 4272 2699
www.peak-care.com.au

Distributor:



- Page intentionally left blank -

- Page intentionally left blank -